

WIRING DIAGRAMS

1991 Mitsubishi Montero

1991 Wiring Diagrams
Mitsubishi

Montero

IDENTIFICATION

COMPONENT LOCATION MENU

COMPONENT LOCATIONS TABLE

Component	Figure No. (Location)
A/C RELAYS	4 (C 12), 4 (A-B 15)
A/C SYSTEM	4 (A-C 12-15)
ALTERNATOR	1 (B-C 1-2)
ALTERNATOR RELAY	1 (C 1-2)
AUTO FREE-WHEELING HUB CONTROL UNIT	3 (D 11)
BACK DOOR LOCK SW	7 (B 27)
BACK-UP LT SW (M/T)	7 (A 26)
BATTERY	1 (A 1)
BLOWER SWITCH	4 (A-B 12)
BUZZER	5 (E 17)
CARGO LIGHT	6 (A 23)
CIG LIGHTER	3 (E 11)
CLOCK	3 (E 11)
COLUMN SW	5 (A-E 19)
CRUISE CONTROL SYSTEM	4 (D-E 13-15)
DEFOGGER	7 (C-D 27)
DIAG CONNECTION	2 (E 7)
DIMMER CONTROL SWITCH	3 (E 8)
DIR FLASHER	5 (C 16)
DIR SWITCH	5 (C 19)
DOME LT	6 (A 23), 7 (A 24)
DOOR LOCK SYSTEM	6 (D-E 21-23)
DOOR SWITCHES	5 (D 17), 6 (C 23)
FRONT WIPER SYSTEM	5 (A 16-17)
FUEL GAUGE UNIT	6 (C 22)
FUEL PUMP	2 (C 4)
FUSE BLOCK	3 (C 9-10)
HAZARD FLASHER	5 (C 16)
HAZARD SW	5 (B 16)
HEAD LIGHT WASHER RELAY	5 (C-D 17)
HEATER RELAY	4 (A 12)
HORN SWITCH	5 (E 19)
IGNITION COIL	2 (E 4)
IGNITION SW	3 (A 11)
ILLUMINATION LIGHTS	3 (D-E 8)
INHIBITOR SW	3 (A 9)
INSTRUMENT CLUSTER	6 (A-D 20)
KEY REMINDER SW	5 (E-17)
LIGHT CONTROL RELAY	5 (E 19)
LIGHT SWITCH	5 (D 19)
MAIN FUSE LINKS	1 (A 1-2)
METER UNIT	6 (E 20)
MPI CONTROL RELAY	2 (B 4)
MPI CONTROL UNIT	2 (A 4-7)
NOISE FILTER	2 (E 6)
OVERDRIVE CONTROL RELAY	3 (A 8)

OVERDRIVE SWITCH	3 (A 8)
PARKING BRAKE SWITCH	6 (A 21)
POWER TRANSISTOR	2 (D 4)
POWER WINDOWS	7 (B-E 24-26)
RADIO (PARTIAL)	3 (D-E 10)
REAR BLOWER SWITCH	4 (D 12)
REAR WIPER	5 (D-E 16)
SEAT BELT WARNING TIMER	5 (D 18)
STARTER	1 (C 3)
STOP LIGHT SWITCH	4 (E 13), 5 (C 16)
SUB FUSE LINKS	1 (A 3)
SUNROOF	7 (A 24-25)
WIPER SWITCH	5 (A-B 19)

WIRING DIAGRAMS

COMPONENT LOCATOR:

A/C RELAYS	C 12, A-B 15
A/C SYSTEM	A-C 12-16
ALTERNATOR	D-C 1-2
ALTERNATOR RELAY	C 1-2
AUTO FREE WHEELING	
HUB CONTROL UNIT	D 11
BACK DOOR LOCK SW	B 27
BACK UP LT SW	A 26
BATTERY	A 1
BLOWER SW	A-B 12
BUZZER	E 17
CARGO LT	A 23
CIG LT	E 11
CLOCK	E 11
COLUMN SW	A-C 19
CRUISE CONTROL SYSTEM	D-E 13-15
DEFOGGER	C-D 27
DIAG DOWN	E 7
DIMMER CONTROL SW	E 8
DIR FLASHER	C 16
DIR SW	C 19
DIOME LT	A 23, A 24
DOOR LOCK SYSTEM	D-E 21-22
DOOR SWS	D 17, C 23
FRONT WIPER SYSTEM	A 16-17
FUEL GAUGE UNIT	C 22
FUEL PUMP	C 4
FUSE BLOCK	C 9-10
HAZARD FLASHER	C 16
HAZARD SW	B 16
HEADLT WASHER RELAY	C-D 17
HEATER RELAY	A 12
HORN SW	E 19
IGNITION SW	E 4
IGNITION COIL	A 11
ILLUM LTS	D-E 8
INSTRUMENT SW	A 9
INSTRUMENT CLUSTER	A-C 20
KEY REMINDER SW	E 17
LIGHT CONTROL RELAY	E 19
LIGHT SW	D 19
MAIN FUS LINKS	A 1-2
METER UNIT	E 20
MPI CONTROL RELAY	B 4
MPI CONTROL UNIT	A 4-7
NOISE FILTER	A 8
OVERDRIVE SW	A 8
PARKING BRAKE SW	A 21
POWER TRANSDTOR	D 4
POWER WINDOWS	B-E 24-26
RADIO (PARTIAL)	D-E 10
REAR BLOWER SW	D 12
REAR WIPER	D-E 16
SEAT BELT WARNING TIMER	D 18
STARTER	C 3
STOP LT SW	E 13, C 18
SUB FUS LINKS	A 3
SUNROOF	A 24-25
WIPER SW	A-D 19

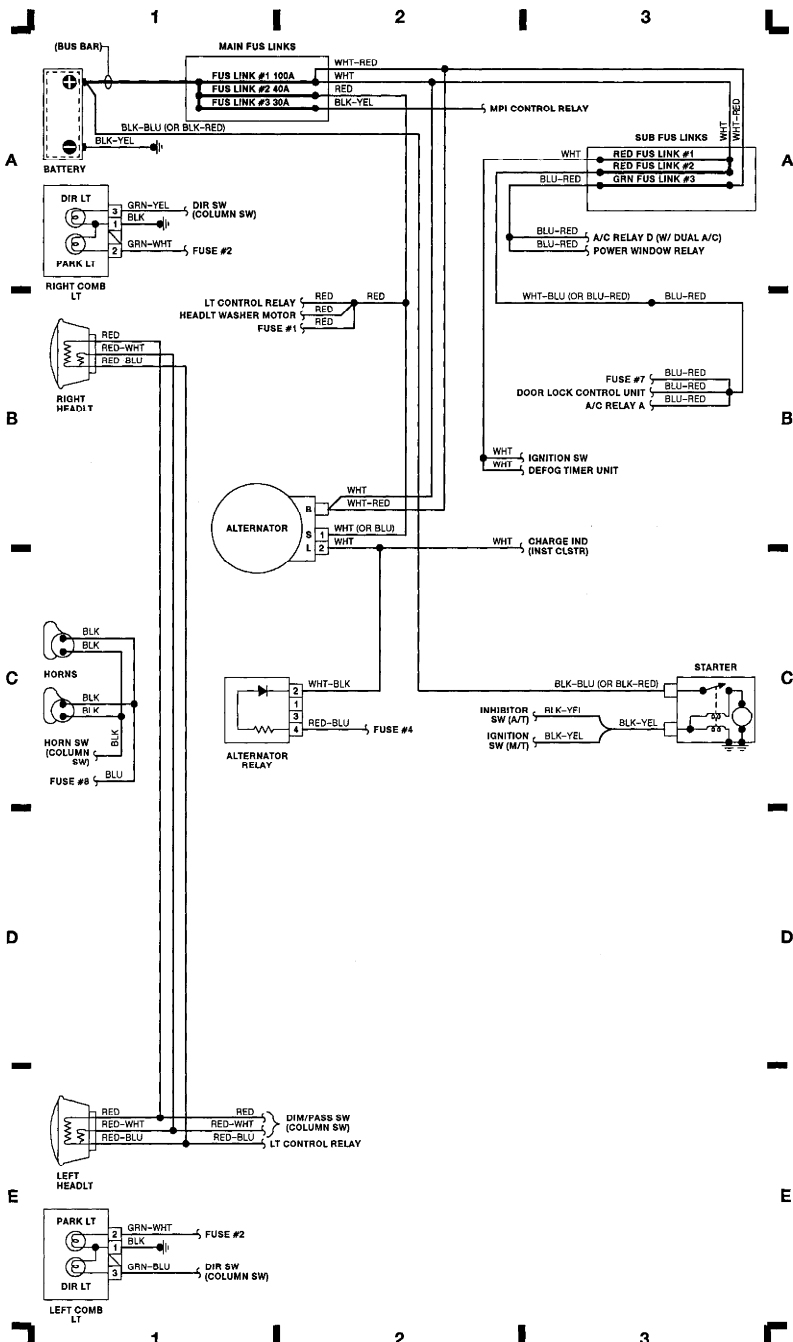


Fig. 1: Engine Comp, Headlights, (Grid 1-3)

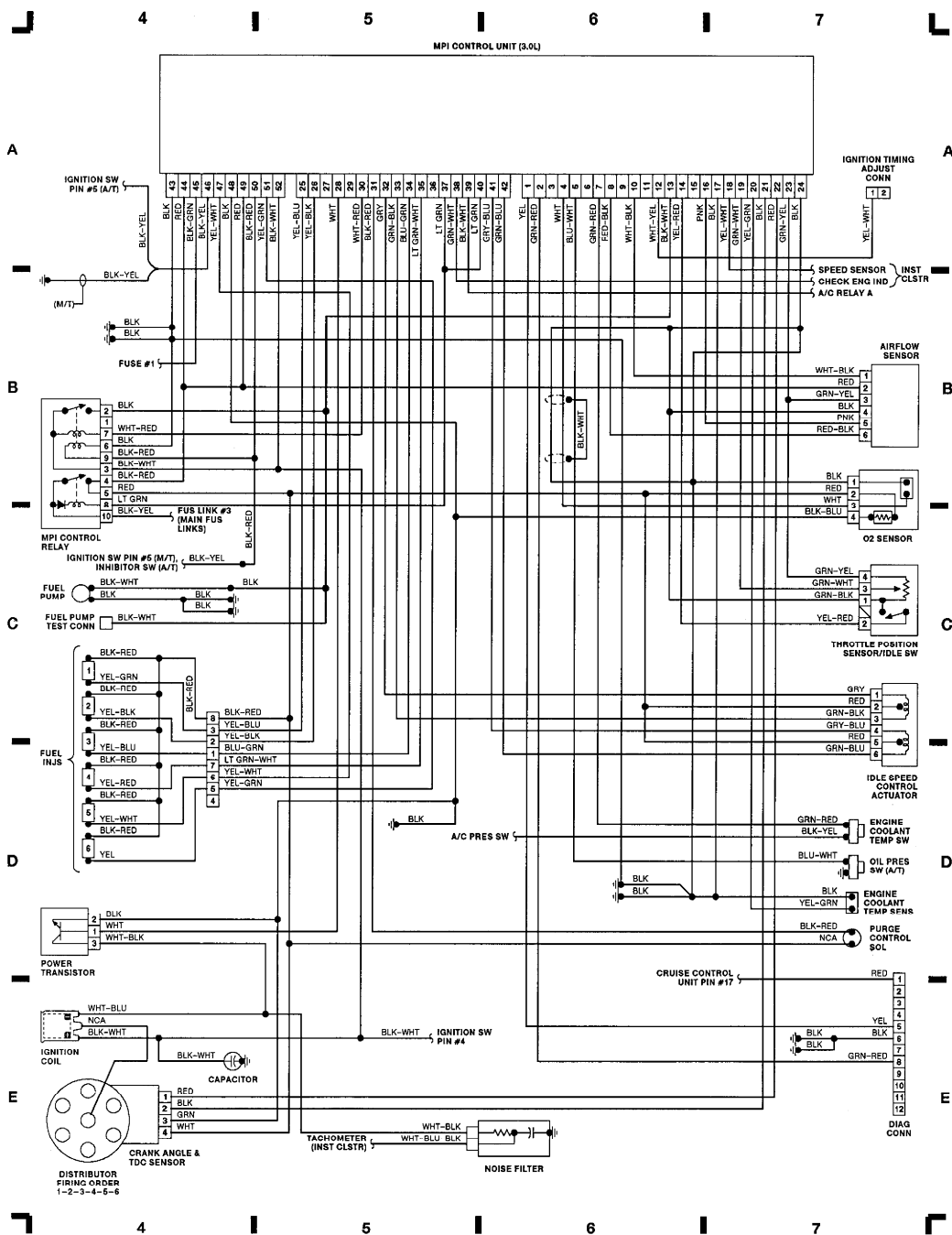


Fig. 2: Computer Engine Control (3.0L) (Grid 4-7)

92C11645

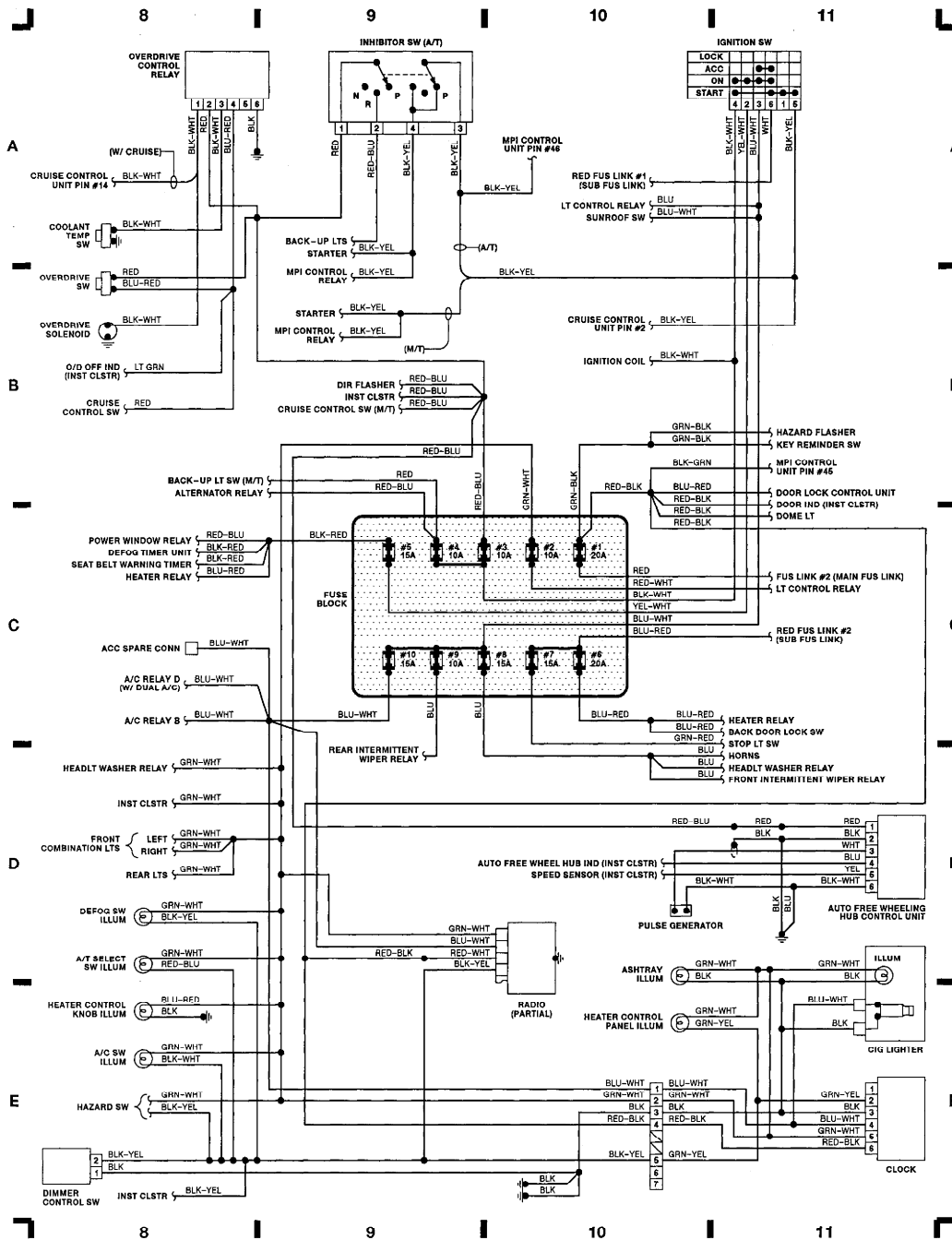


Fig. 3: Fuse Block, Ignition Sw, Inhibitor Sw, (A/T) (Grid 8-11)

92D11646

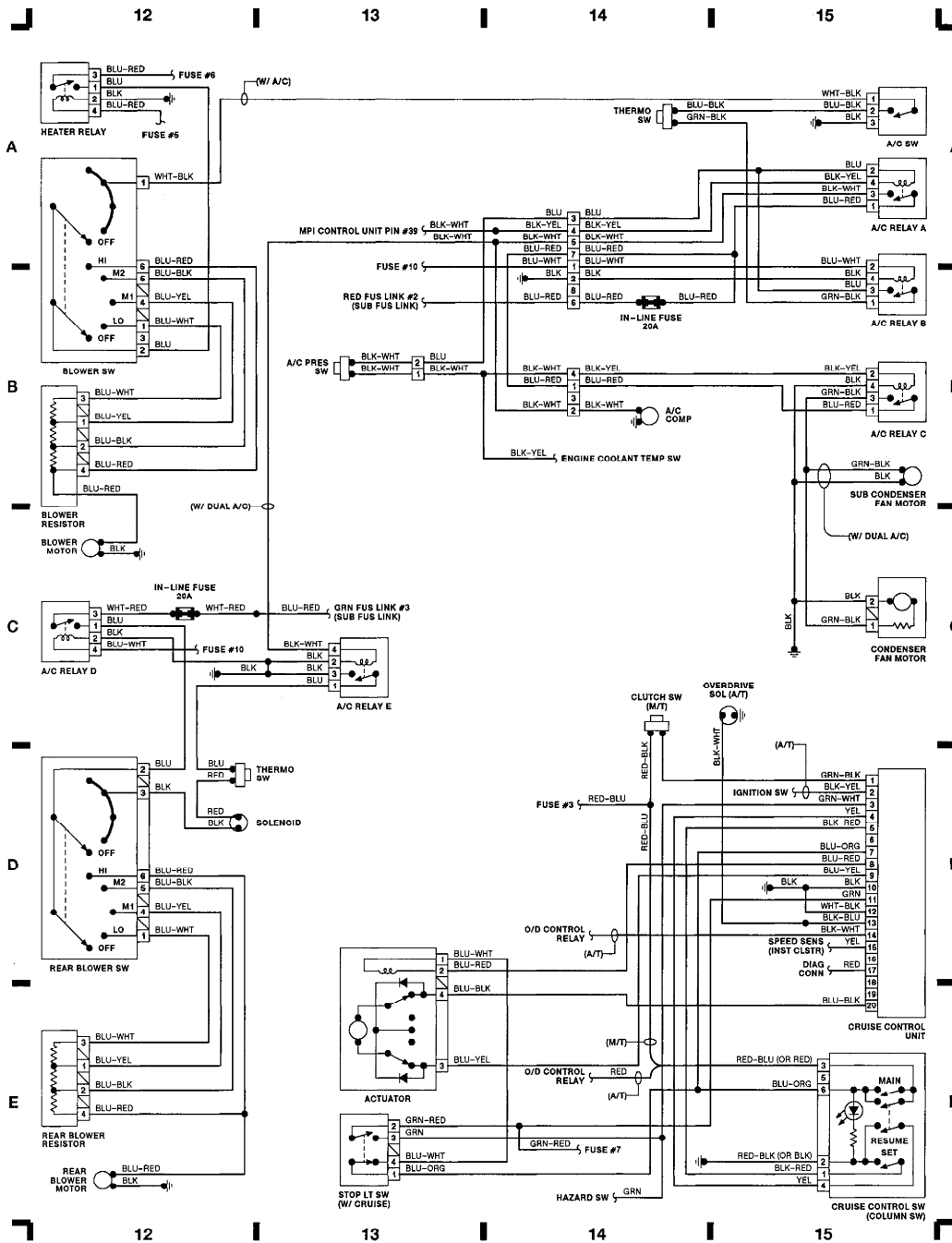


Fig. 4: Cruise Control, A/C & Heating (Grid 12-15)

92E11647

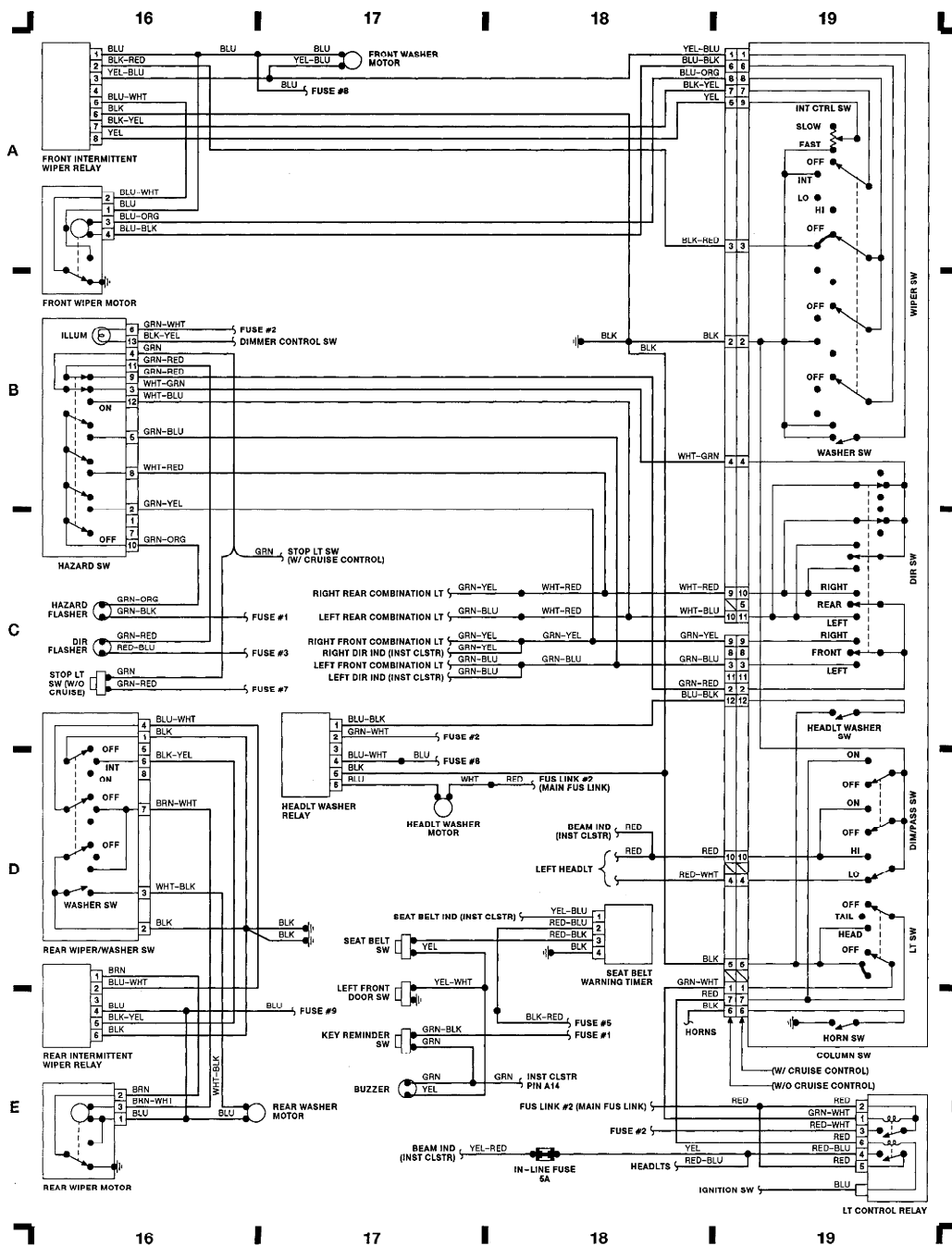
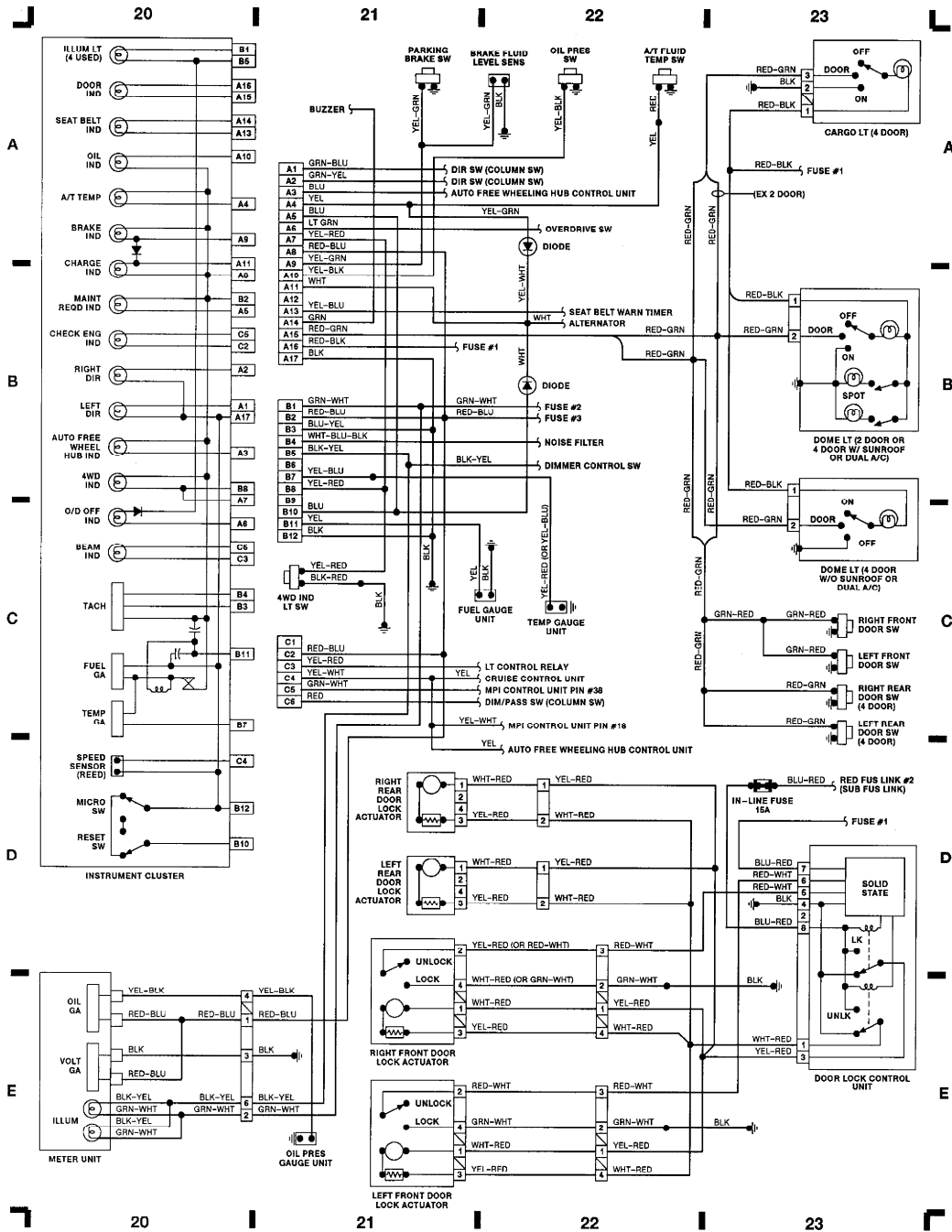
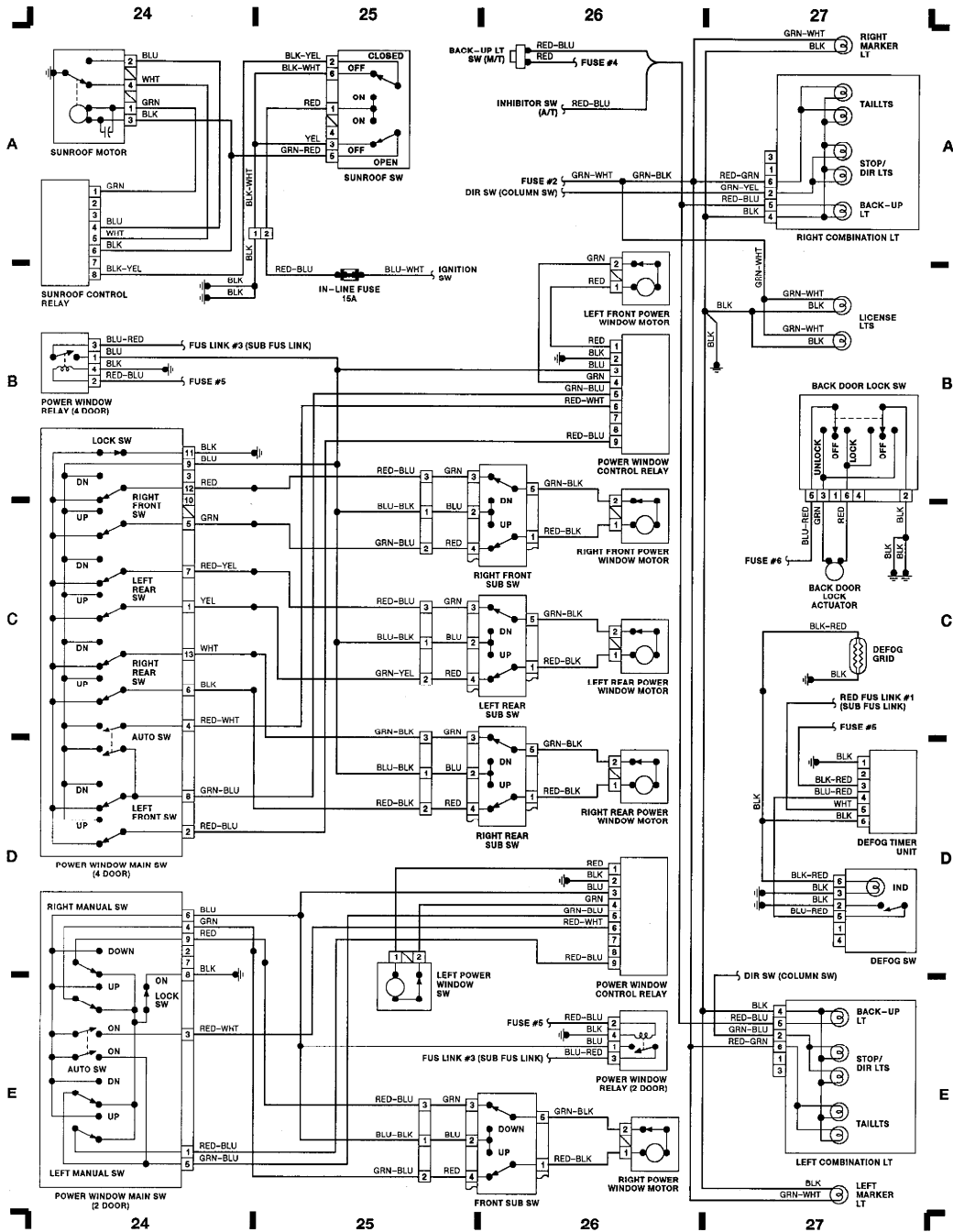


Fig. 5: Column SW, Wiper/Washers, Hazard Sw (Grid 16-19)



92G11649

Fig. 6: Inst Cluster, Door Locks, Interior Lights (Grid 20-23)



92A11650

Fig. 7: Passenger Compt, Taillts, Pwr Window, Sunroof (Grid 24-27)