
CLUTCH

CONTENTS

21109000251

GENERAL INFORMATION	2	CLUTCH PEDAL	4
SERVICE SPECIFICATIONS	2	CLUTCH CONTROL	5
LUBRICANTS	2	Clutch Master Cylinder	7
ON-VEHICLE SERVICE	2		
Clutch Pedal Inspection and Adjustment	2		
Clutch Pedal Position Switch Continuity Check	3		
Bleeding	3		

GENERAL INFORMATION

21100010093

The clutch is a dry single-disc, diaphragm type; hydraulic pressure is used for the clutch control.

SERVICE SPECIFICATIONS

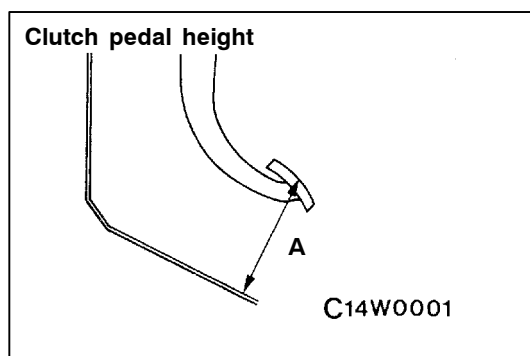
21100030136

Items	Standard value
Clutch pedal height mm	176 – 181
Clutch pedal clevis pin play mm	1 – 3
Clutch pedal free play mm	6 – 13
Distance between the clutch pedal and the toeboard when the clutch is disengaged mm	56 or more

LUBRICANTS

21100040078

Items	Specified lubricants	Quantity
Clutch fluid	Brake fluid DOT 3 or DOT 4	As required
Push rod assembly	Rubber grease	
Boot		
Release cylinder push rod	MITSUBISHI genuine grease Part No. 0101011	

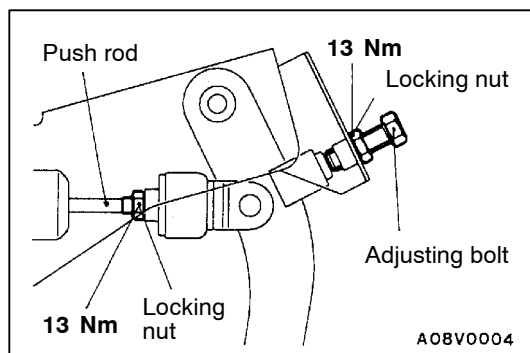
**ON-VEHICLE SERVICE**

21100090127

CLUTCH PEDAL INSPECTION AND ADJUSTMENT

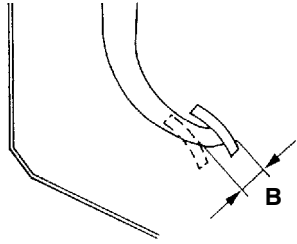
1. Turn up the carpet, etc. under the clutch pedal.
2. Measure the clutch pedal height.

Standard value (A): 176 – 181 mm



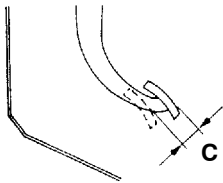
3. If the height of the clutch pedal is outside the standard value, loosen the lock nut and adjust the pedal height to the standard value using the adjusting bolt or push rod.

Clutch pedal clevis pin play



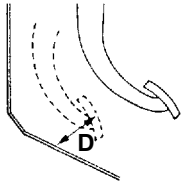
A14W0002

Clutch pedal free play



14W0002

Distance between the clutch pedal and the toeboard when the clutch is disengaged



14W0003
00003373

4. Measure the clutch pedal play.
Standard value (B): 1 – 3 mm
5. If the clutch pedal play is not within the standard value, loosen the locking nut and move the push rod to adjust.

Caution

Do not push in the master cylinder push rod at this time.

6. After completing the adjustments, confirm that the clutch pedal free play (measured at the face of the pedal pad) and the distance between the clutch pedal (the face of the pedal pad) and the toeboard when the clutch is disengaged are within the standard value ranges.

Standard value (C): 6 – 13 mm

Standard value (D): 56 mm or more

7. If the clutch pedal free play and the distance between the clutch pedal and the toeboard when the clutch is disengaged do not agree with the standard values, it is probably the result of either air in the hydraulic system or a faulty master cylinder or clutch. Bleed the air, or disassembly and inspect the master cylinder or clutch.
8. Turn back the carpet, etc.

CLUTCH PEDAL POSITION SWITCH CONTINUITY CHECK

21100310049

1. Adjust the clutch pedal. (Refer to P.21-2.)
2. Depress the clutch pedal, and check the continuity between the terminals.

Measurement Conditions	Terminal No.	
	1	2
Clutch pedal depressed	○—○	○—○
Clutch pedal not depressed		

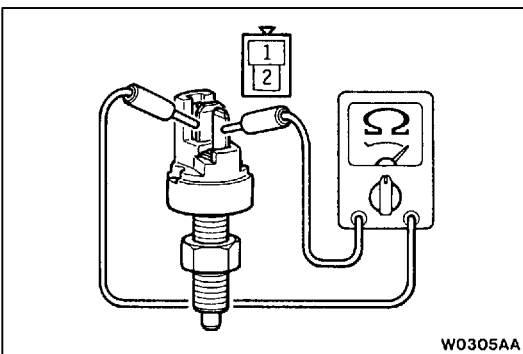
BLEEDING

21100140099

Specified fluid: Brake fluid DOT 3 or DOT 4

Caution

Use the specified brake fluid. Avoid using a mixture of the specified fluid and other fluid.



W0305AA

CLUTCH PEDAL

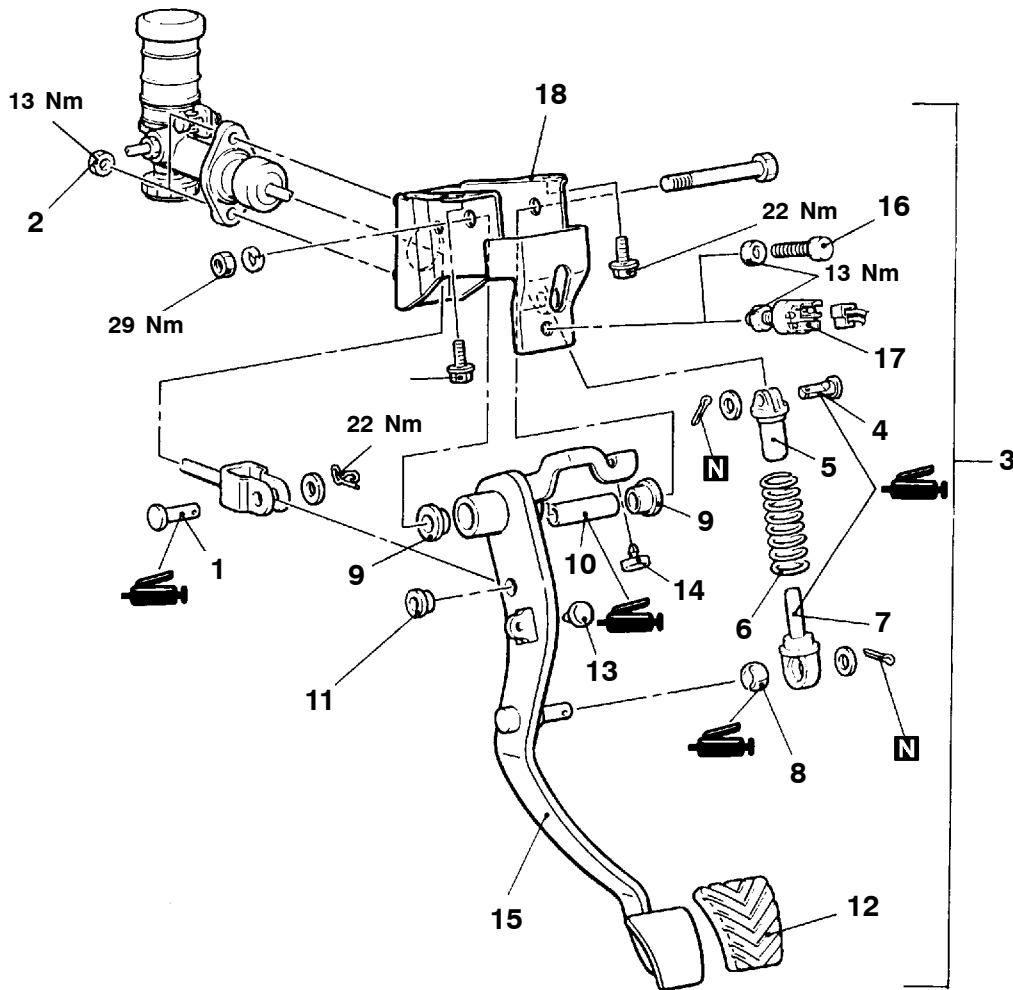
REMOVAL AND INSTALLATION

Pre-removal Operation

- Removal of Relay Box in Passenger Compartment <L.H. drive vehicles>

Post-installation Operation

- Clutch Pedal Adjustment (Refer to P.21-2.)
- Installation of Relay Box in Passenger Compartment <L.H. drive vehicles>



AW0288AA

Removal steps

- | | |
|--|---|
| 1. Clevis pin | 12. Pedal pad |
| 2. Clutch master cylinder mounting nut | 13. Stopper |
| 3. Clutch pedal assembly | 14. Stopper <L.H. drive vehicles> |
| 4. Clevis pin | 15. Clutch pedal |
| 5. Rod A | 16. Adjusting bolt
<Vehicle without auto-cruise control system> |
| 6. Turnover spring | 17. Clutch pedal position switch
<Vehicle with auto-cruise control system> |
| 7. Rod B | 18. Pedal support member |
| 8. Bushing | |
| 9. Bushing | |
| 10. Spacer | |
| 11. Bushing | |

CLUTCH CONTROL

21100190278

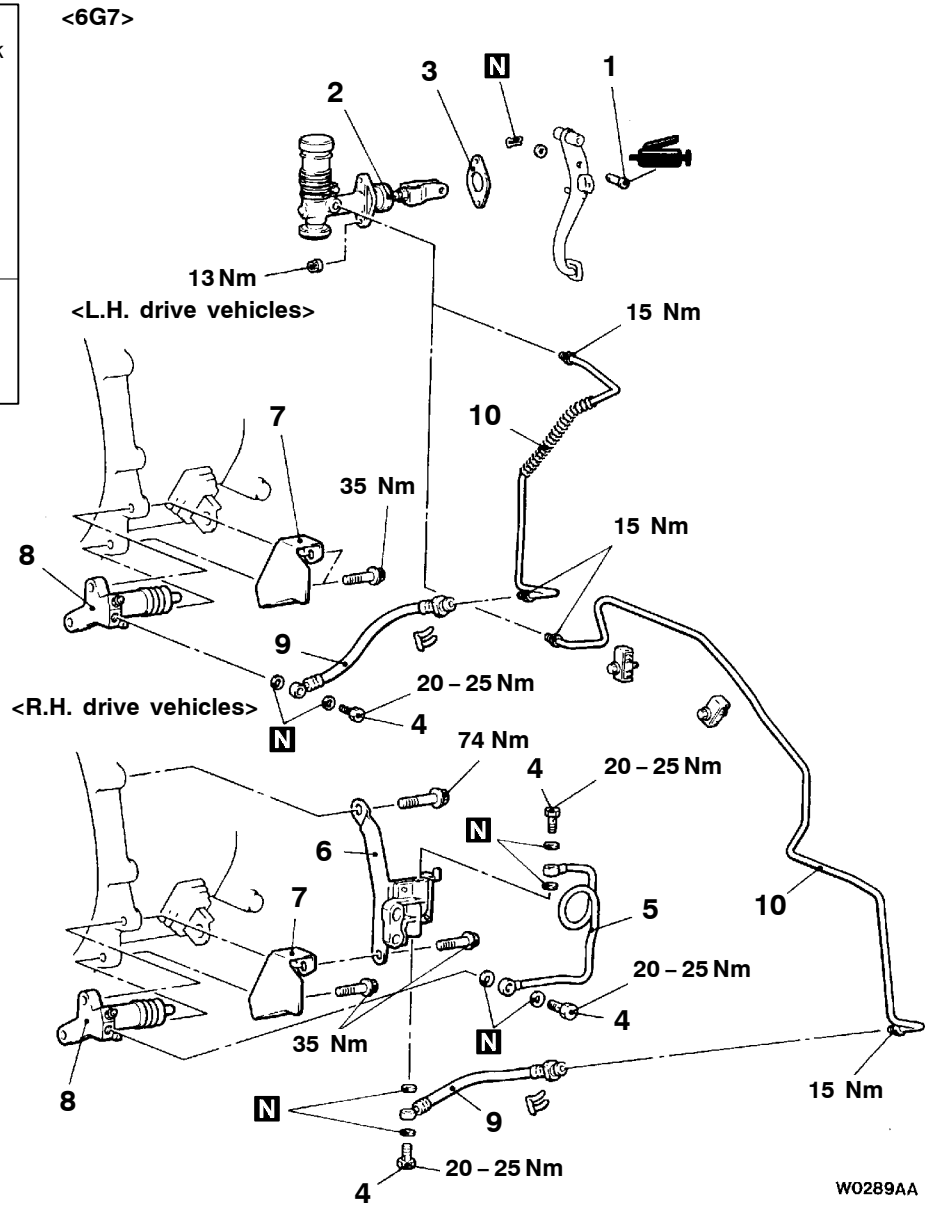
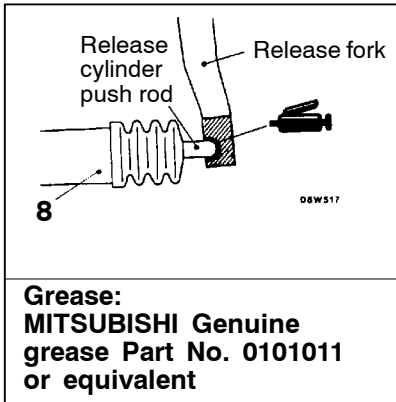
REMOVAL AND INSTALLATION

Pre-removal Operation

- Clutch Fluid Draining

Post-installation Operation

- Clutch Fluid Supplying
- Clutch Fluid Bleeding (Refer to P. 21-3.)
- Clutch Pedal Adjustment (Refer to P. 21-2.)



W0289AA

00009290

Clutch master cylinder removal steps

1. Clevis pin
2. Clutch master cylinder
3. Sealer

Clutch release cylinder removal steps

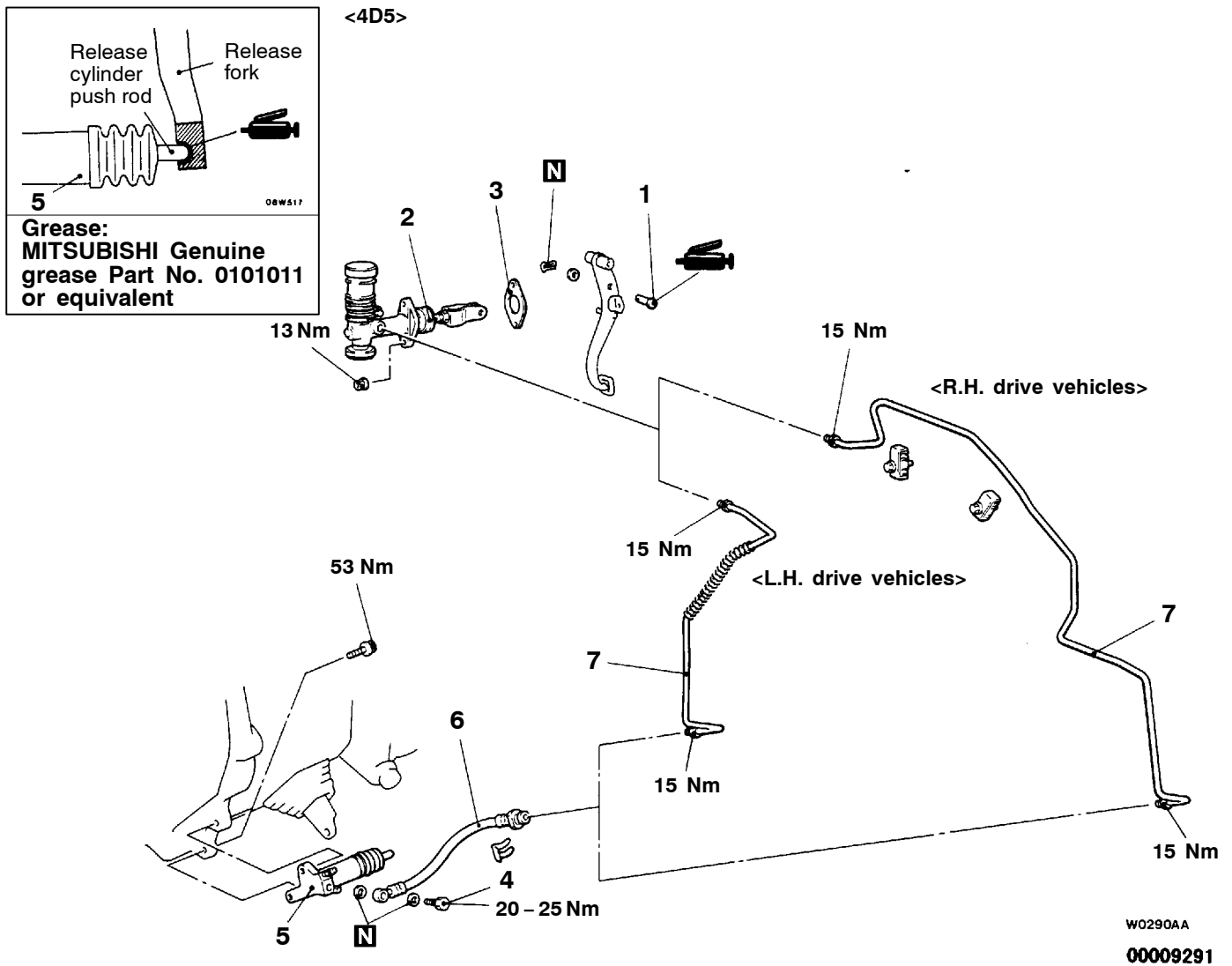
4. Eye bolt
5. Pipe assembly
<R.H. drive vehicles>

Clutch damper assembly
<R.H. drive vehicles>

7. Heat protector
8. Clutch release cylinder

Clutch line removal steps

4. Eye bolt
9. Clutch hose
10. Clutch tube



Clutch master cylinder removal steps

1. Clevis pin
2. Clutch master cylinder
3. Sealer

Clutch release cylinder removal steps

4. Eye bolt
5. Clutch release cylinder

Clutch line removal steps

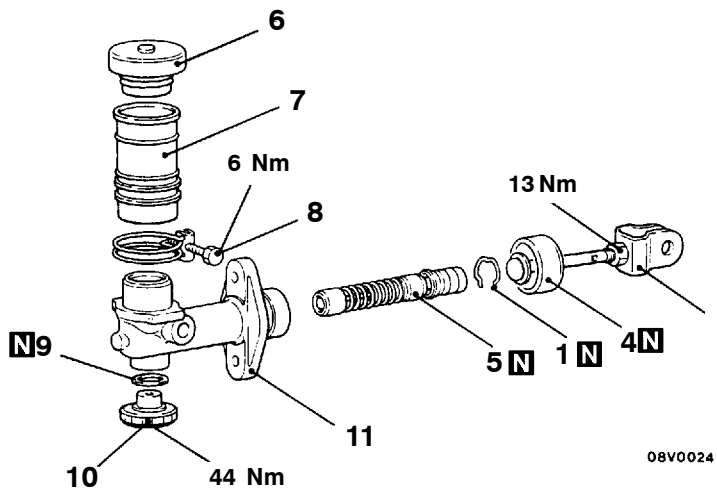
4. Eye bolt
6. Clutch hose
7. Clutch tube

**DISASSEMBLY AND REASSEMBLY
CLUTCH MASTER CYLINDER**

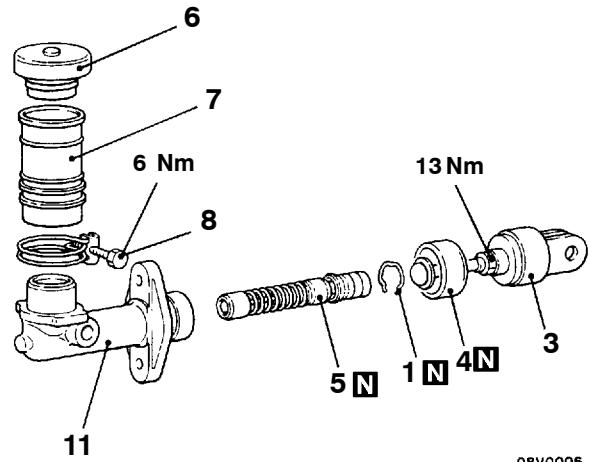
Caution
Do not disassemble piston assembly.

<6G7 – L.H. drive vehicles, 4D5>

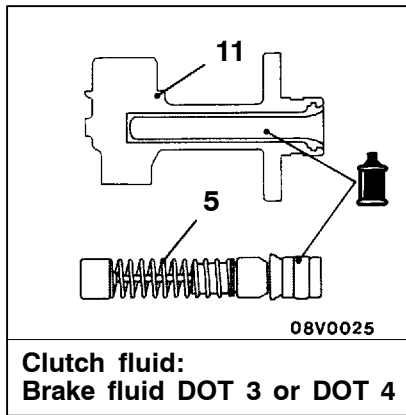
<6G7 – R.H. drive vehicles>



08V0024

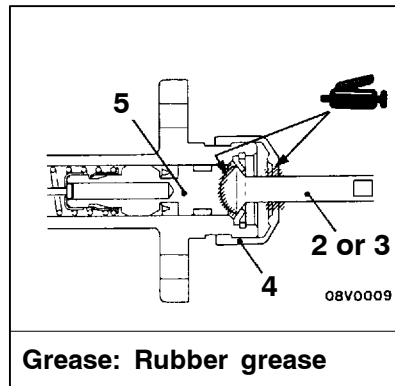


08V0006



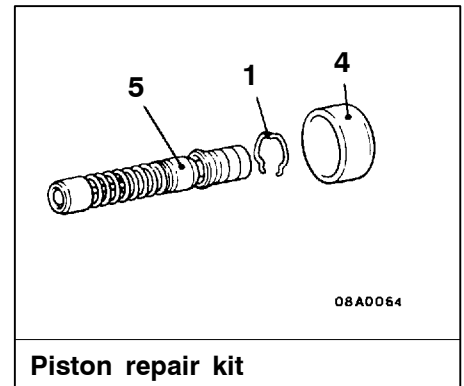
08V0025

Clutch fluid:
Brake fluid DOT 3 or DOT 4



08V0009

Grease: Rubber grease



08A0064

Piston repair kit

00009292

Disassembly steps

1. Piston stop ring
2. Push rod
3. Damper and push rod
4. Boot
5. Piston assembly
6. Reservoir cap
7. Reservoir
8. Reservoir band
9. Gasket
10. Damper assembly
11. Master cylinder body

NOTES